

# ROEQ TR600/1150 Top Roller solution for MiR600/1350



The ROEQ TR600 & TR1150 are heavy duty top rollers for your MiR600 and MiR1350 mobile robots. They can pick up and deliver heavy goods between conveyor stations on your production line and are ideal for transporting US and euro pallets

The full solution includes the ROEQ GuardCom System which provides additional safety and efficiency when transferring between the top roller and the receiving station, using robust sensor technology. Developed with ROEQ Safety features and ROEQ Assist software for fast and consistent set-up.



Two package function

## Features

- Can handle payloads of up to 600 kg/1125 kg
- The flat top allows transfer of wide loads which extend over the sides. Side Bars can be purchased, if required.
- Built-in barriers on rollers protect fingers
- Long Cargo Kit available for safe transfer of long loads
- The TR1150 can handle and deliver two packages individually
- Built-in position sensor confirms correct position of robot before transfer of goods
- Cargo sensors in the front and back ensure safe transfer and transport of cargo
- Compatible with ROEQ GuardCom System for additional safety and optimal performance to/from conveyor stations. Wireless communication without reliance on Wi-Fi

## Specifications

**Robot compatibility:**  
MiR600, MiR1350

**ROEQ product compatibility:**  
GuardCom System

**Payload on MiR600/1350:**  
TR600: 375/600 kg (827/1323 lbs)  
TR1150: 375/1125 kg (827/2480 lbs)

**Size (l x w):**  
1435 x 1097 mm / 56.5 x 43.2"

**Cargo area:**  
1320 x 1066 mm / 52 x 42"  
Note: Loads can extend over the sides.  
Add the Long Cargo Kit for longer loads.

**Height from floor to rollers:**  
500-550 mm / 19.7-21.7"

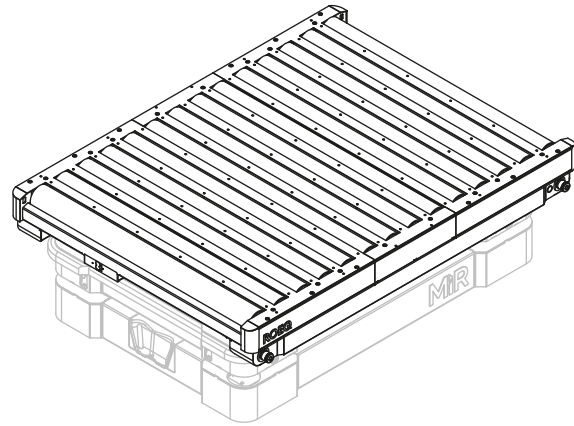
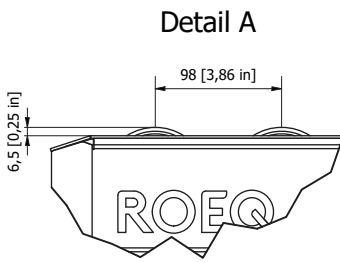
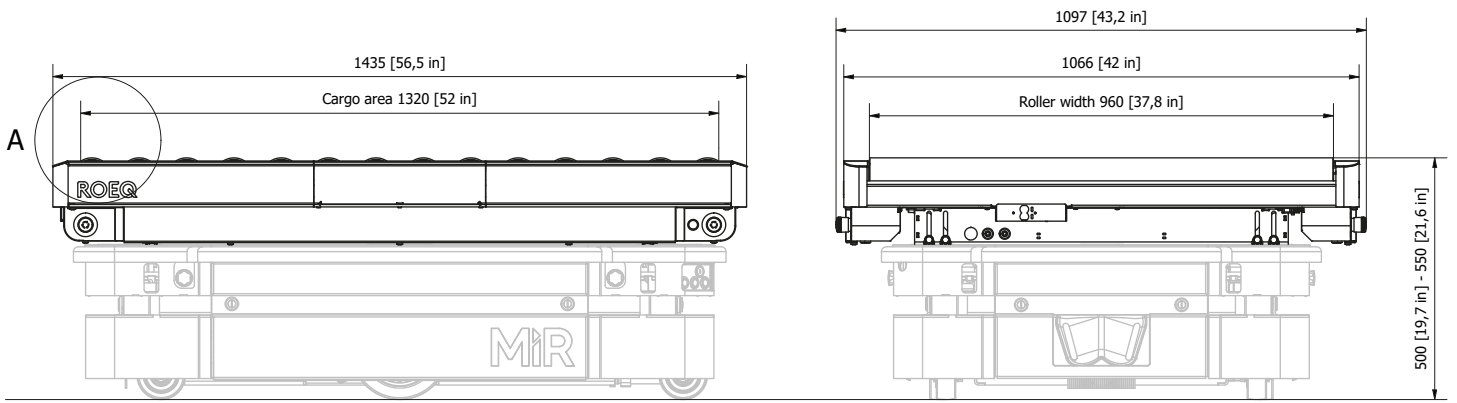
**Manual adjust stroke:**  
50mm / 2"

**Sensors:**  
Position sensor and cargo sensors

Use the ROEQ GuardCom to improve cycle time and decrease downtime



**ROEQ**  
ROBOTIC EQUIPMENT



Product no.	Product name	Description	
200s1000	TR600	Top roller with fixed height.	
200s2000	TR1150	Top roller with fixed height. And two package function.	
273a1000	GuardCom	GuardCom unit to mount on static conveyor, for efficient and safe transfer of goods	
273a2000	GuardCom Connect	Communication unit to mount on top rollers. Wireless communication with GuardCom, not using Wi-Fi	
200s4100	Side Bars	For additional safety, when loads do not exceed the width of the roller area suitable for US and Euro pallets	
200s4200	Long Cargo Kit	For safe transfer of long cargo	
200s4300	Height Kit	Kit for increasing the height of TR600/1150	

[Visit roeq.dk](https://www.roeq.dk)